

# Product data sheet

## Characteristics

# ATS01N106FT

soft starter for asynchronous motor - ATS01 - 6 A  
- 110..480V - 0.75..3 KW

Product availability : Stock - Normally stocked in distribution facility

Price\*\* : 115.00 USD



### Main

Range of product	Altistart 01
Product or component type	Soft starter
Product destination	Asynchronous motors
Product specific application	Simple machine
Device short name	ATS01
Phase	1 phase
[Us] rated supply voltage	110...480 V - 10...10 %
Motor power kW	3 kW, 3 phase 400 V 0.75 kW, 3 phase 230 V 1.1 kW, 3 phase 230 V 2.2 kW, 3 phase 400 V 0.75 kW, 1 phase 230 V
Maximum Horse Power Rating	1 hp, 3 phase 230 V 2 hp, 3 phase 460 V 3 hp, 3 phase 460 V 0.5 hp, 3 phase 210 V 1.5 hp, 3 phase 230 V
ICL starter rating	6 A
Utilisation category	AC-53B EN/IEC 60947-4-2
Current consumption	30 A at nominal load
Type of start	Start with voltage ramp
Power dissipation in W	1 W at full load and at end of starting 31 W in transient state

### Complementary

Assembly style	With heat sink
Function available	Integrated bypass
Supply voltage limits	99...528 V
Supply frequency	50...60 Hz - 5...5 %
Network frequency	47.5...63 Hz
Output voltage	<= power supply voltage
[Uc] control circuit voltage	110 V AC +/- 10 % 30 mA 24 V AC/DC +/- 10 % 25 mA

	240 V AC +/- 10 % 65 mA
Starting time	1 s / 100 5 s / 20 Adjustable from 1 to 5 s
Starting torque	30...80 % of starting torque of motor connected directly on the line supply
Discrete output current	2 A DC-13 3 A AC-15
Tightening torque	7.08 lbf.in (0.8 N.m)
Electrical connection	Cage type connector - rigid 1 2.5 mm <sup>2</sup> AWG 14 control circuit Cage type connector - rigid 1 2.5 mm <sup>2</sup> AWG 14 power circuit Cage type connector - rigid 2 1 mm <sup>2</sup> AWG 17 control circuit Cage type connector - rigid 2 1 mm <sup>2</sup> AWG 17 power circuit Cage type connector - flexible with cable end 1 2.5 mm <sup>2</sup> AWG 14 control circuit Cage type connector - flexible with cable end 1 2.5 mm <sup>2</sup> AWG 14 power circuit Cage type connector - flexible without cable end 1 2.5 mm <sup>2</sup> AWG 14 control circuit Cage type connector - flexible without cable end 1 2.5 mm <sup>2</sup> AWG 14 power circuit Cage type connector - flexible with cable end 2 0.75 mm <sup>2</sup> AWG 18 control circuit Cage type connector - flexible with cable end 2 0.75 mm <sup>2</sup> AWG 18 power circuit Cage type connector - flexible without cable end 2 1 mm <sup>2</sup> AWG 17 control circuit Cage type connector - flexible without cable end 2 1 mm <sup>2</sup> AWG 17 power circuit
Marking	CE
Operating position	Vertical +/- 10 degree
Height	3.94 in (100 mm)
Width	0.91 in (23 mm)
Depth	3.94 in (100 mm)
Net weight	0.35 lb(US) (0.16 kg)
Compatibility code	ATS01N1
Motor power range AC-3	0.55...1 kW 200...240 V 3 phase 1.1...2 kW 380...440 V 3 phase 0.55...1 kW 200...240 V 1 phase 1.1...2 kW 200...240 V 3 phase 2.2...3 kW 380...440 V 3 phase
Motor starter type	Soft starter

## Environment

Electromagnetic compatibility	Conducted and radiated emissions level B CISPR 11 Conducted and radiated emissions level B IEC 60947-4-2 Damped oscillating waves level 3 IEC 61000-4-12 Electrostatic discharge level 3 IEC 61000-4-2 EMC immunity EN 50082-1 EMC immunity EN 50082-2 Harmonics IEC 1000-3-2 Harmonics IEC 1000-3-4 Immunity to conducted interference caused by radio-electrical fields level 3 IEC 61000-4-6 Immunity to electrical transients level 4 IEC 61000-4-4 Immunity to radiated radio-electrical interference level 3 IEC 61000-4-3 Micro-cuts and voltage fluctuation IEC 61000-4-11 Voltage/current impulse level 3 IEC 61000-4-5
Standards	EN/IEC 60947-4-2
Product certifications	C-Tick CCC CSA B44.1-96/ASME A17.5 for starter wired to the motor delta terminal UL GOST
IP degree of protection	IP20
Pollution degree	2 EN/IEC 60947-4-2
Vibration resistance	1 gn 13...150 Hz)EN/IEC 60068-2-6 1.5 mm peak to peak 3...13 Hz)EN/IEC 60068-2-6
Shock resistance	15 gn 11 ms EN/IEC 60068-2-27
Relative humidity	5...95 % without condensation or dripping water EN/IEC 60068-2-3
Ambient air temperature for operation	14...104 °F (-10...40 °C) without 104...122 °F (40...50 °C) with current derating of 2 % per °C)
Ambient air temperature for storage	-13...158 °F (-25...70 °C) EN/IEC 60947-4-2

Operating altitude	<= 3280.84 ft (1000 m) without > 3280.84 ft (1000 m) with current derating of 2.2 % per additional 100 m
--------------------	---

### Ordering and shipping details

Category	22392 - ATSU01/ATS01 LOW HP SOFT STARTERS
Discount Schedule	I11
GTIN	00785901416937
Package weight(Lbs)	0.18 kg (0.4 lb(US))
Returnability	Yes
Country of origin	DE

### Offer Sustainability

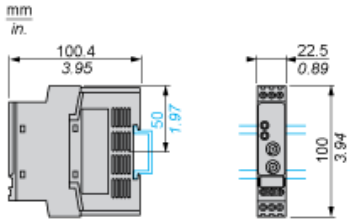
REACH Regulation	<a href="#">REACH Declaration</a>
REACH free of SVHC	Yes
EU RoHS Directive	Pro-active compliance (Product out of EU RoHS legal scope) <a href="#">EU RoHS Declaration</a>
Toxic heavy metal free	Yes
Mercury free	Yes
RoHS exemption information	<a href="#">Yes</a>
China RoHS Regulation	<a href="#">China RoHS declaration</a>
Circularity Profile	<a href="#">End of Life Information</a>
WEEE	The product must be disposed on European Union markets following specific waste collection and never end up in rubbish bins.

### Contractual warranty

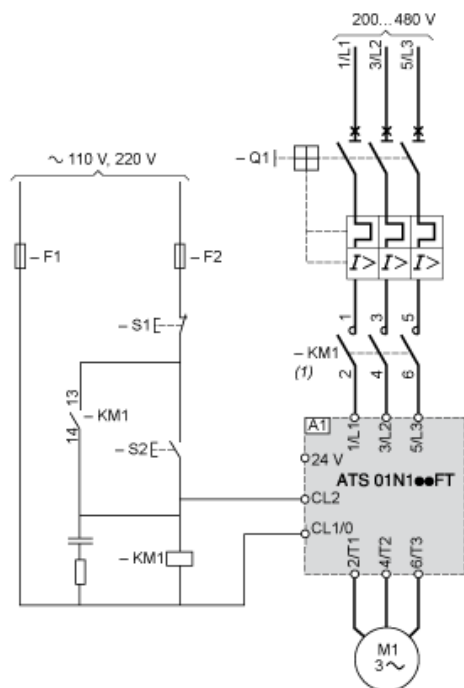
Warranty	18 months
----------	-----------

Dimensions

Mounting on Symetrical (35 mm) Rail or Asymetrical Rail with Adaptor RHZ 66

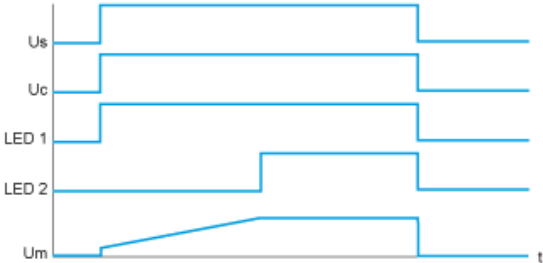


Example of 3-phase Power Supply Connection



- (1) A line contactor must be used in the sequence.  
A1 : Soft starter  
Q1 : Motor circuit-breaker  
KM1 : Contactors  
F1, F2 : Control protection fuses  
S1, S2 : Pushbuttons

Function Diagram



- Us : Power supply voltage
- Uc : Control supply voltage
- LED 1 : Green LED
- LED 2 : Yellow LED
- Um : Motor voltage